



EBARA

ISO 9002
KEMA
CERT. NR. 98922
DUTCH COUNCIL FOR ACCREDITATION



SELF PRIMING PUMP

MODEL SQPB

PT. LUKES INDONESIA

Lindeteves Trade Center Lt UG, Blok B1 No. 6

Jalan Hayam Wuruk, Jakarta - Indonesia

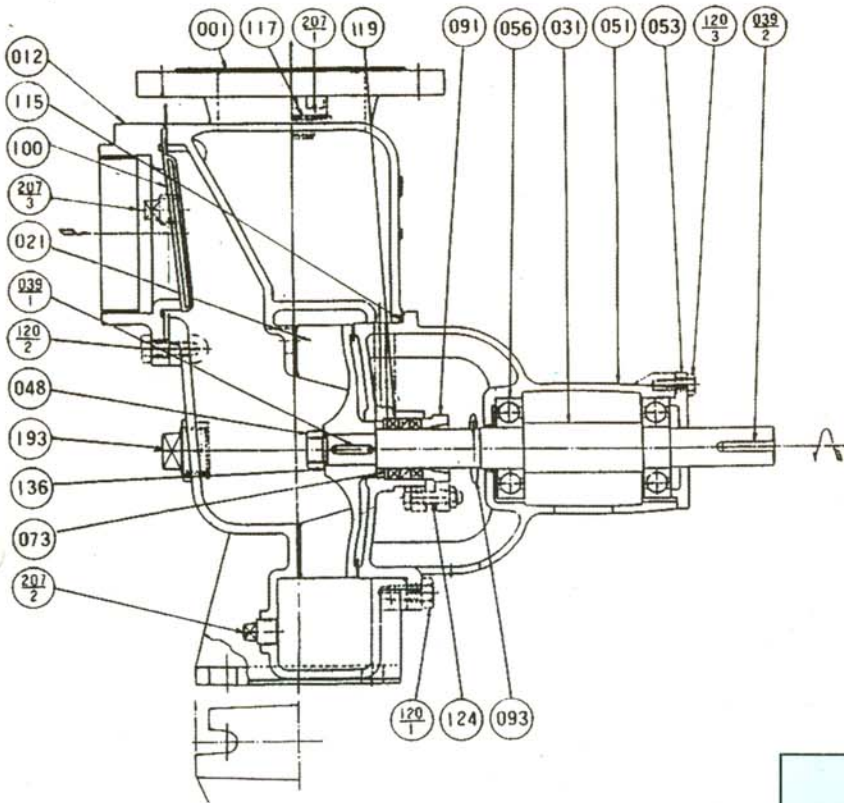
Phone : 021 - 6231 7842, 628 5144

Fax : 021 - 6231 0499

email : lukes@cbn.net.id



SECTIONAL VIEW



207 - 3	PLUG	CAST IRON	1
207 - 2	DRAIN PLUG	CAST IRON	1
207 - 1	PRIMING PLUG	PLASTIC	1
193	PLUG	CAST IRON	2
136	WASHER	BRASS	1
124	GLAND BOLT AND NUT	STEEL	1
120 - 3	BOLT	STEEL	2
120 - 2	SUCTION COVER BOLT	STEEL	3
120 - 1	CASING BOLT	STEEL	4
119	GLAND PACKING	ASBESTOS	3
117	GASKET	RUBBER	1
115	O-RING	NBR	1
100	CHECK VALVE	RUBBER	1
093	DEFLECTOR	NBR	1
091	GLAND	CAST IRON	1
073	STAGE PIECE	STEEL	1
056	BALL BEARING	-	2
053	BEARING COVER	CAST IRON	1
051	BEARING HOUSING	CAST IRON	1
048	IMPELLER NUT	BRASS	1
039 - 2	KEY	CARBON STEEL	1
039 - 1	KEY	CARBON STEEL	1
031	SHAFT	CARBON STEEL	1
021	IMPELLER	CAST IRON	1
012	SUCTION COVER	CAST IRON	1
001	CASING	CAST IRON	1
PART NO	PART NAME	MATERIAL	NO.FOR 1 UNIT



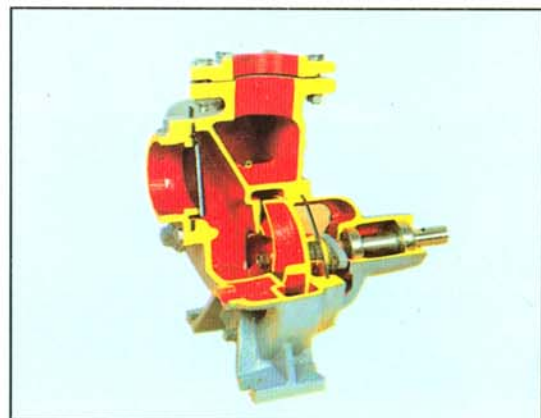
SEMI OPEN IMPELLER

OTHER



PUMP COUPLED WITH ENGINE

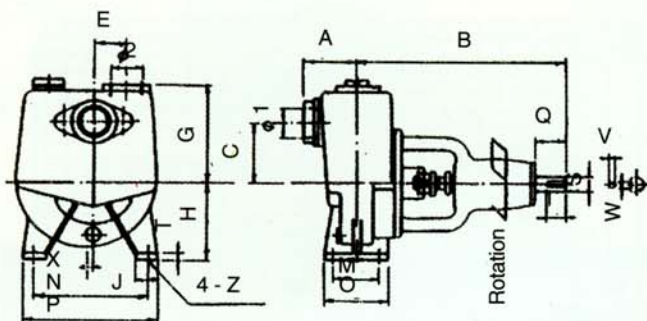
* This picture doesn't show belt cover.
for safety belt cover should be install.



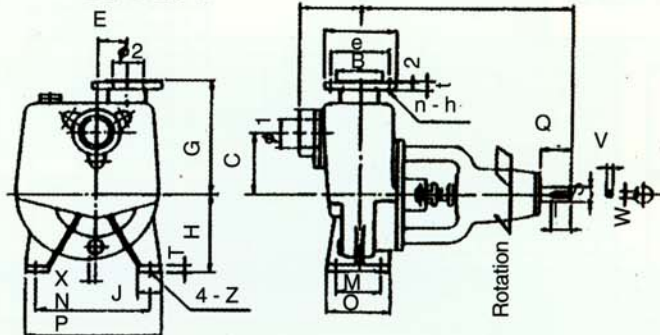
CUT MODEL

BARE SHAFT PUMP DIMENSIONS

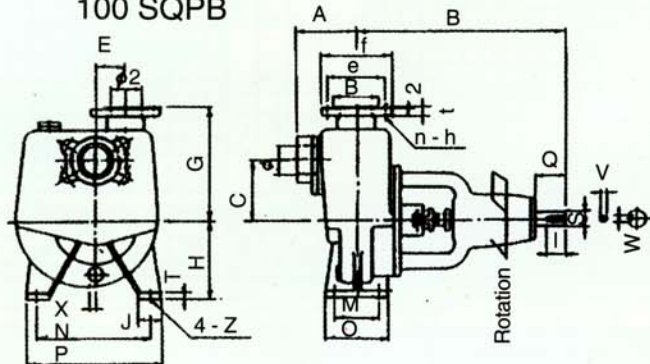
50 SQPB



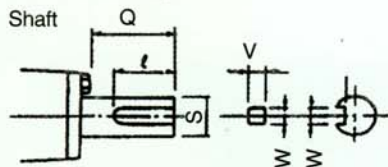
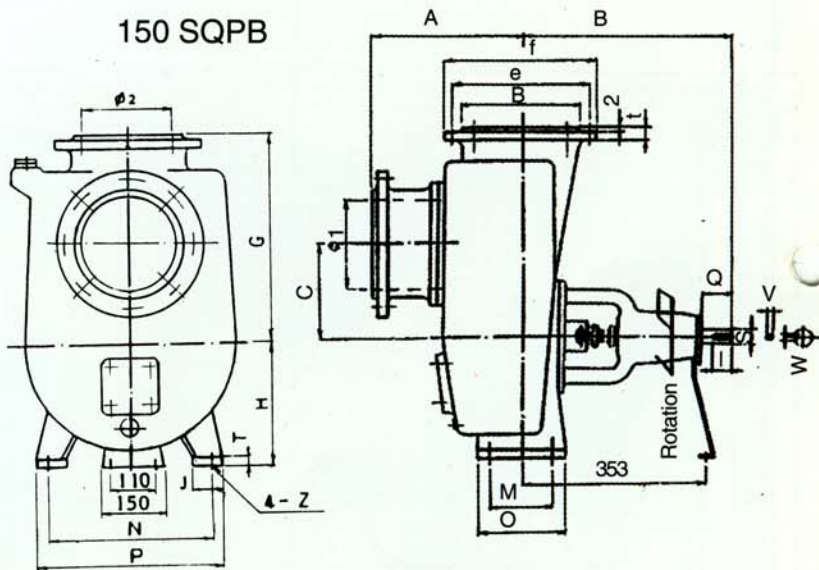
80 SQPB



100 SQPB



150 SQPB



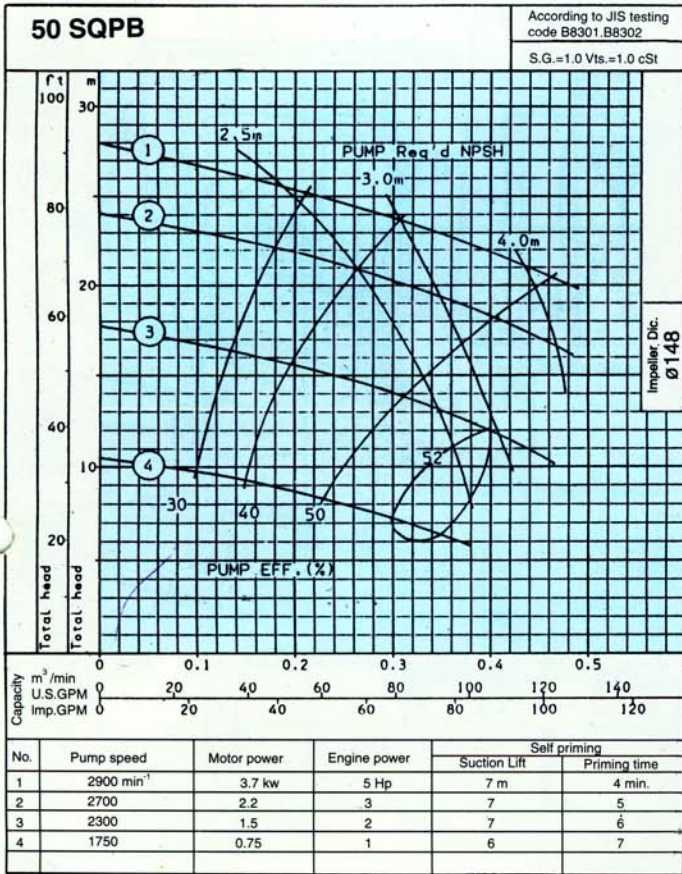
Unit:mm

MODEL	Ø2	g	e	f	t	n	h
50 SQPB	PS-2	-	-	-	-	-	-
80 SQPB	PS-3	130	150	185	18	4	15
100 SQPB	PS-4	155	175	210	20	4	15
150 SQPB	150	215	240	280	22	8	19

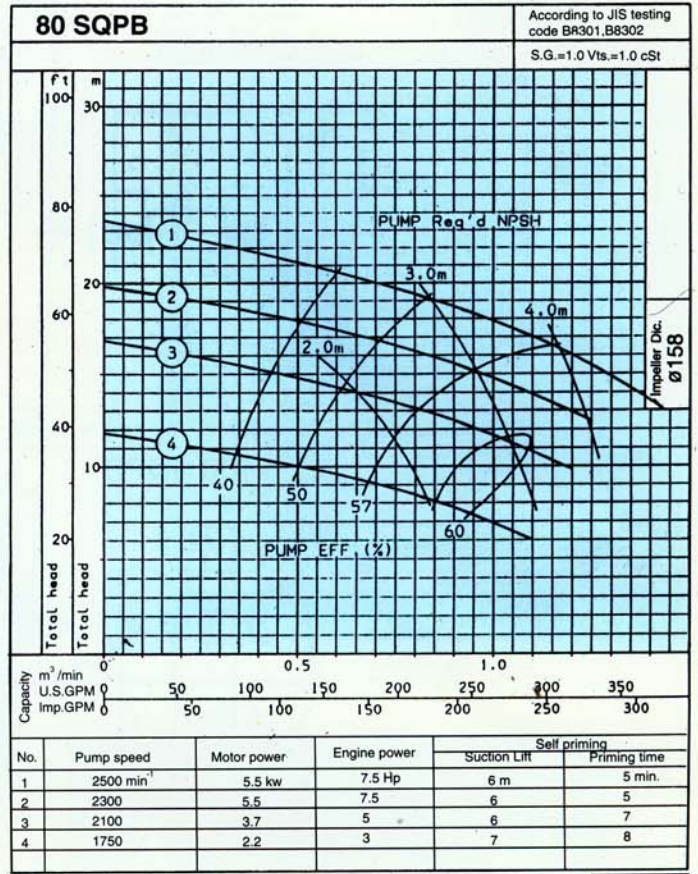
Unit:mm

MODEL	Pump															Shaft End					Weight (Mass) Kg
	Ø1	A	B	C	E	G	H	J	T	M	N	O	P	X	Z	S	Q	I	V	W	
50 SQPB	PS-2	100	240	100	40	165	112	35	10	50	150	80	180	0	12	19	34	27	6	6	17
80 SQPB	PS-3	120	275	120	25	225	132	40	12	70	190	100	230	10	12	24	50	40	8	7	27
100 SQPB	PS-4	130	330	155	25	275	160	50	12	100	230	140	280	20	15	28	55	50	8	7	42
150 SQPB	150	280	470	180	-	400	225	80	16	120	315	160	400	-	19	32	80	68	8	10	130

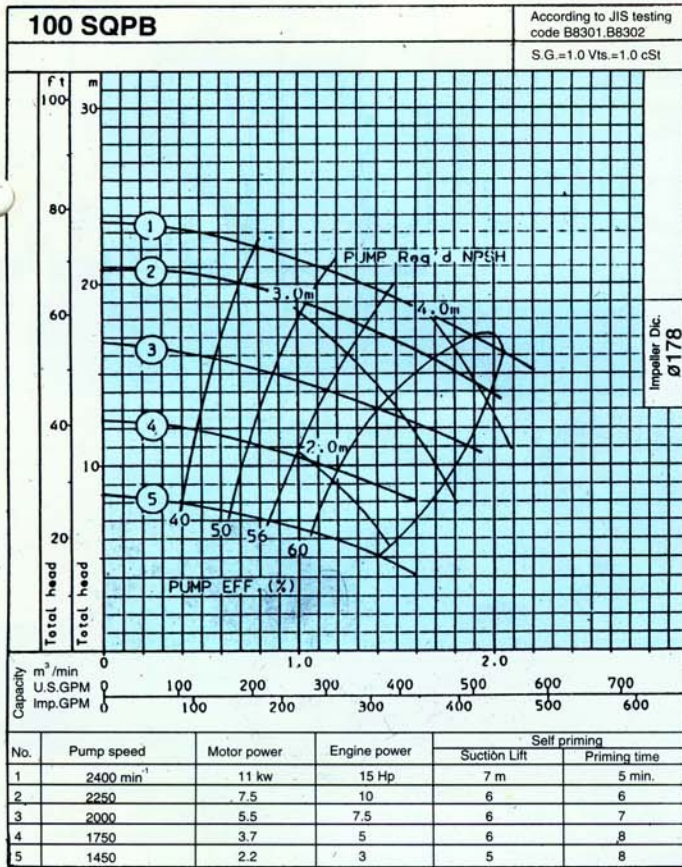
PERFORMANCE CURVE



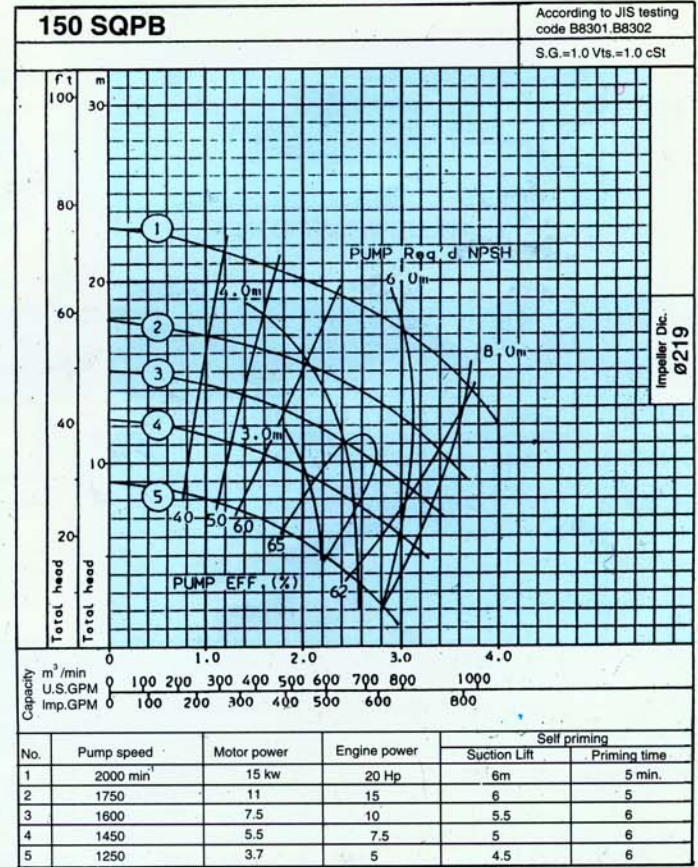
SQPB5401



SQPB5402

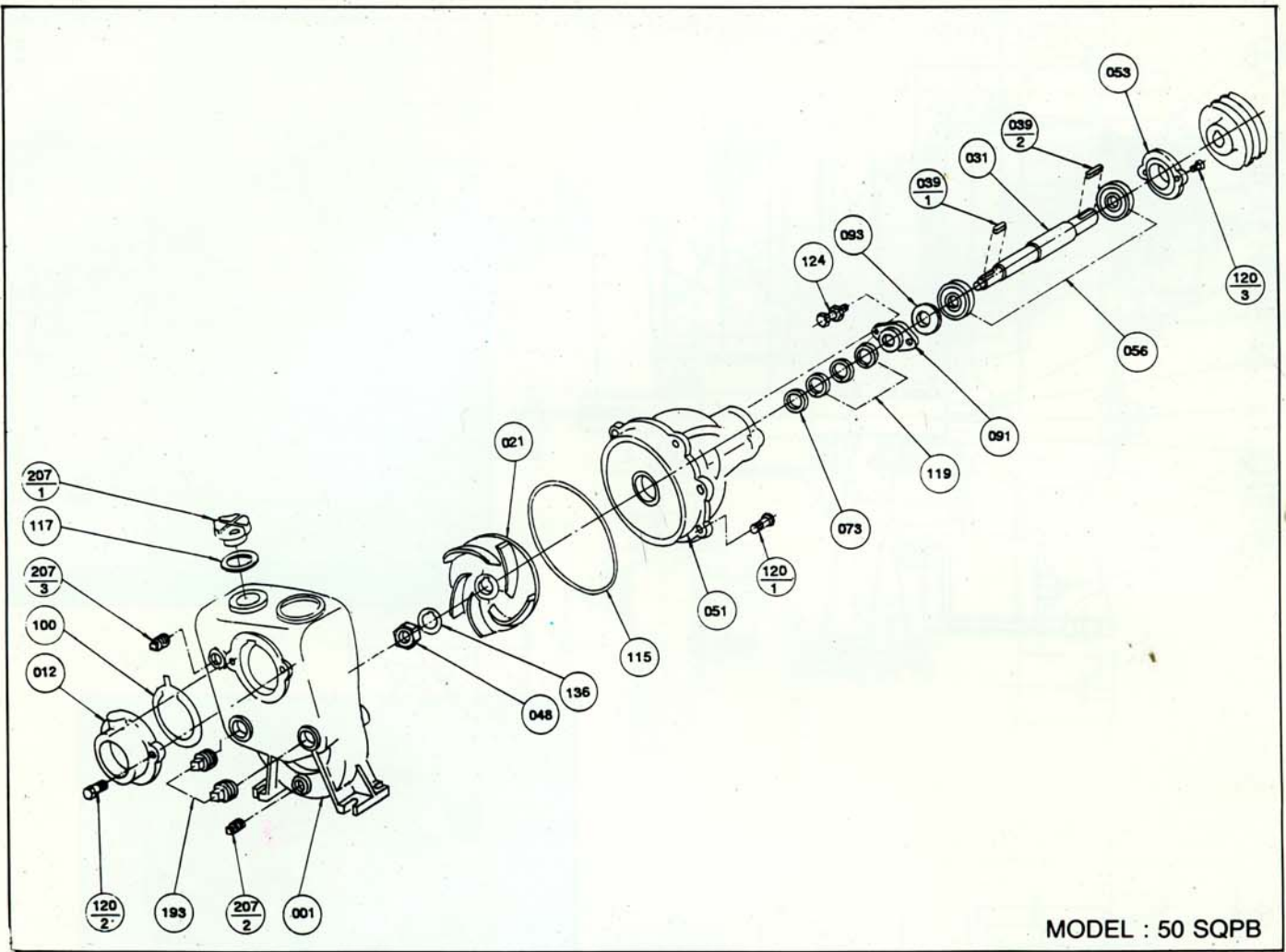


SQPB5403



SQPB5404

DISASSEMBLY



All specifications are subject to change without notice

